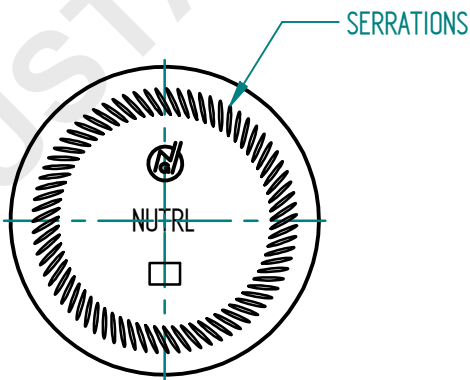
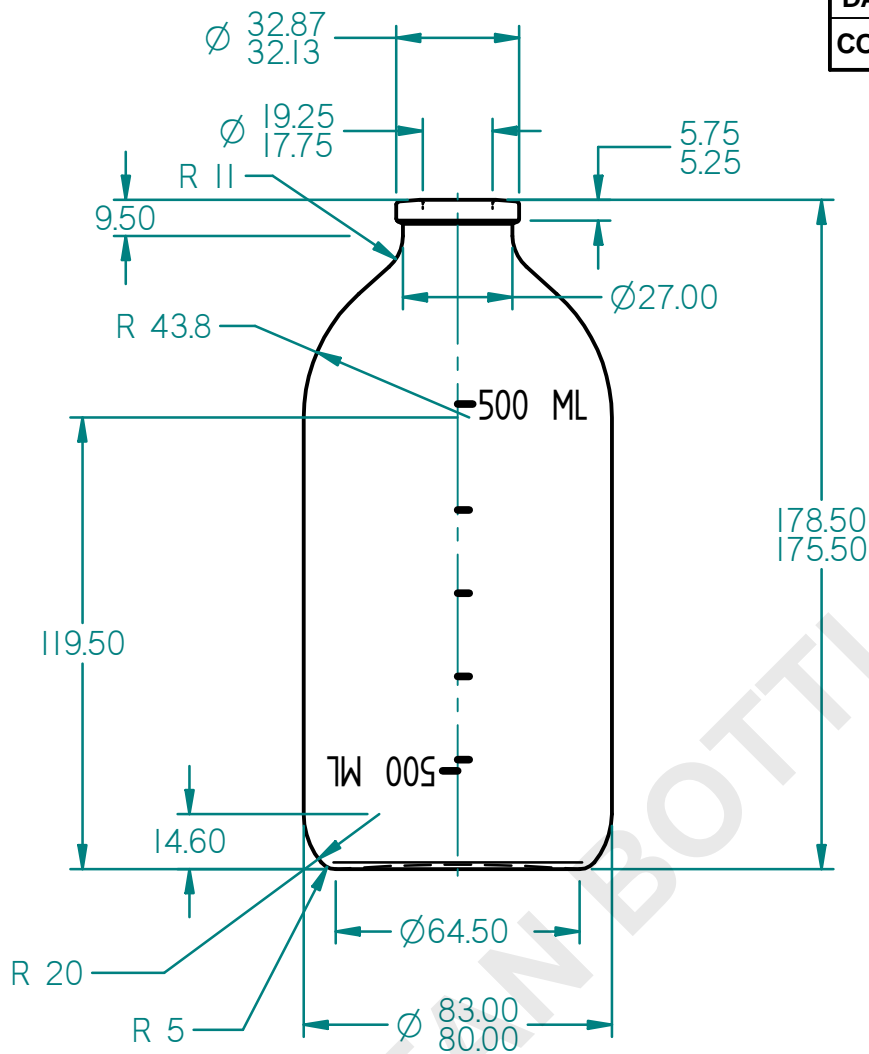


RELEASE

DATE:

COMPANY:



Protective note ISO 16016 observed

GENERAL TOLERANCES DIN 6129-1 (DIMENSIONS WITHOUT TOLERANCES ARE FOR REFERENCE ONLY)				FINISH: 33 mm P.N.		O'FLOW CAPACITY: 605.0 - 625.0 ml		ARTICLE NO.: 5156152100				
				FINISH DWG: NA		WEIGHT: 380 g Approx						
				FINISH MOLD NO: 155		TYPE OF GLASS: I COLOUR: FLINT						
				DATE		NAME		TITLE: <h1 style="text-align: center;">500 ml P / N</h1>				
				DRAWN 22/11/2013		Paresh						
				CHECKED 22/11/2013		H.B.P.						
				SCALE 1:2								
				GERRESHEIMER NEUTRAL GLASS & ALLIED INDS. PVT. LTD. MUMBAI / KOSAMBA		MOLD NO.: 164		DRAWING NO.: B 6152		REVISION	SHEET	FORMAT
REV.						CHANGE		DATE		NAME		0
						FILE: 500 ml PN.dft						